

bbTV Reconnection Guide

Internet Connection via Optical Network Terminal

Internet Connection via Optical Network Terminal

Scenario 1 _____ P. 2

Scenario 2 _____ P. 3

bbTV STB does not Connect to any Device

Scenario 3 _____ P. 4

Scenario 4 _____ P. 5

Scenario 5 _____ P. 6

Internet Connection via Wall Plate

bbTV STB Connects to a Computer

Scenario 6 _____ P. 7

bbTV STB does not Connect to any Device

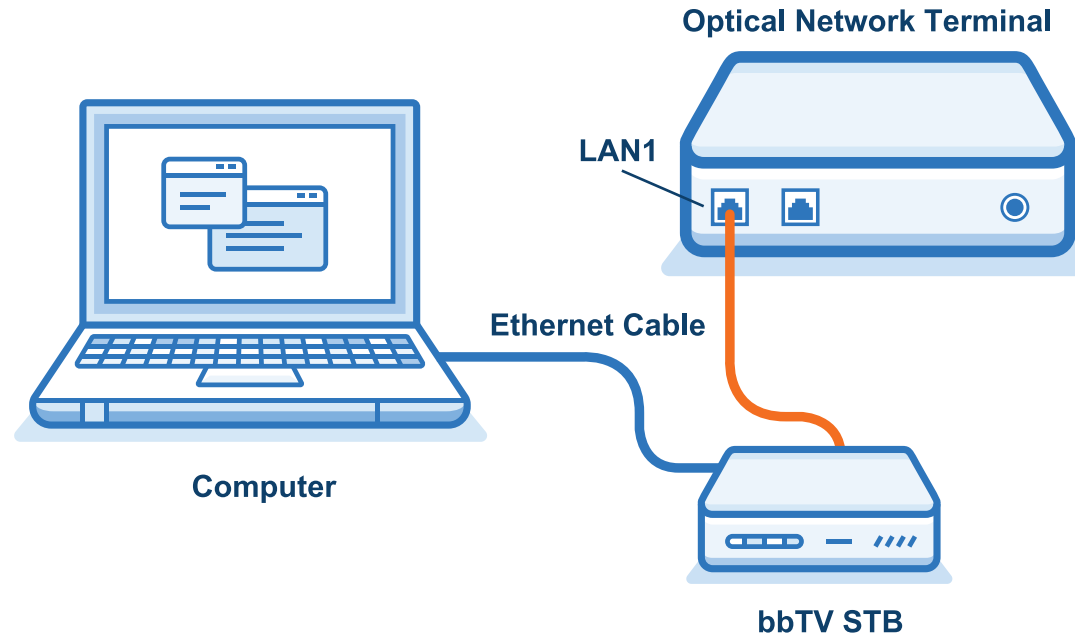
Scenario 7 _____ P. 8

Scenario 8 _____ P. 9

Scenario 1

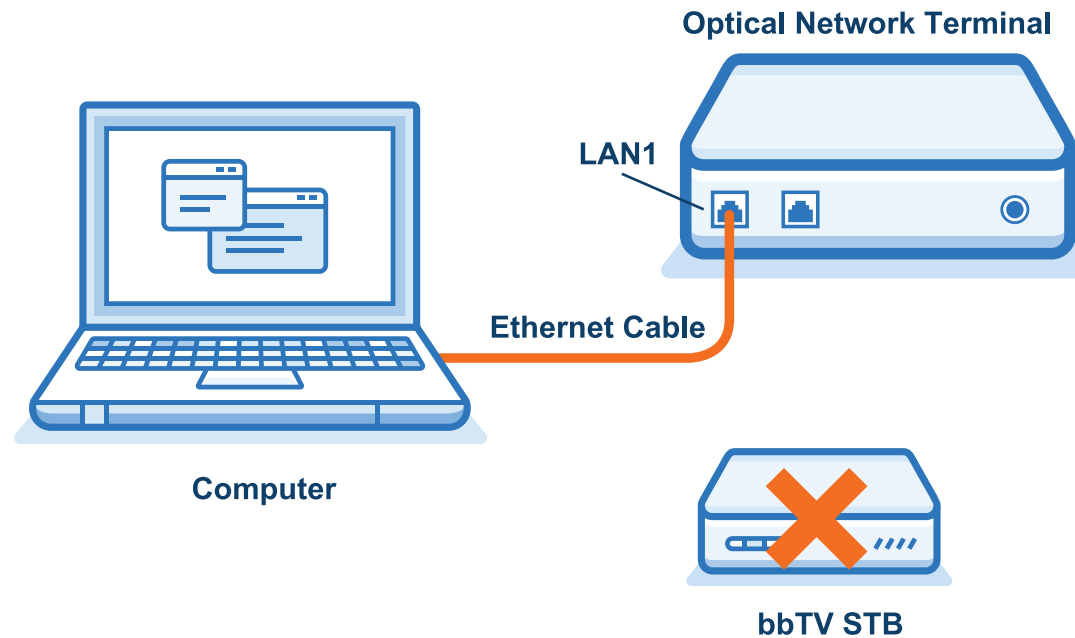
Current connection:

bbTV set top box (STB) is connected to a port (LAN 1) of the Optical Network Terminal, and then connected to the computer



New connection:

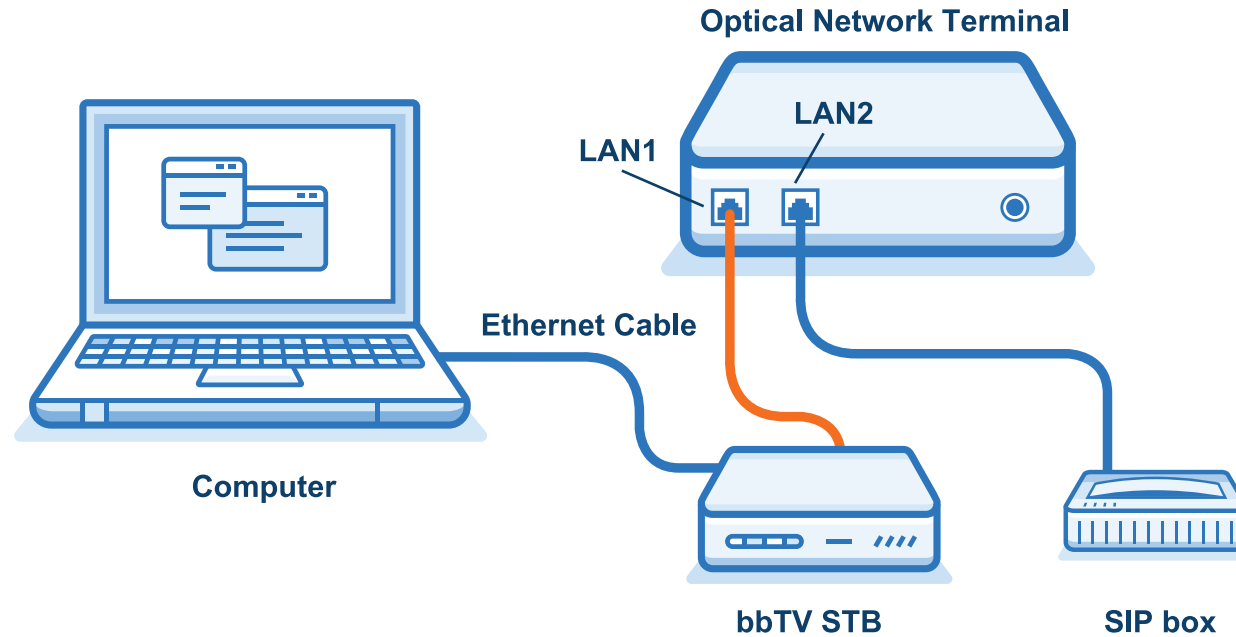
Remove the bbTV STB, connect LAN 1 of the Optical Network Terminal to the computer directly



Scenario 2

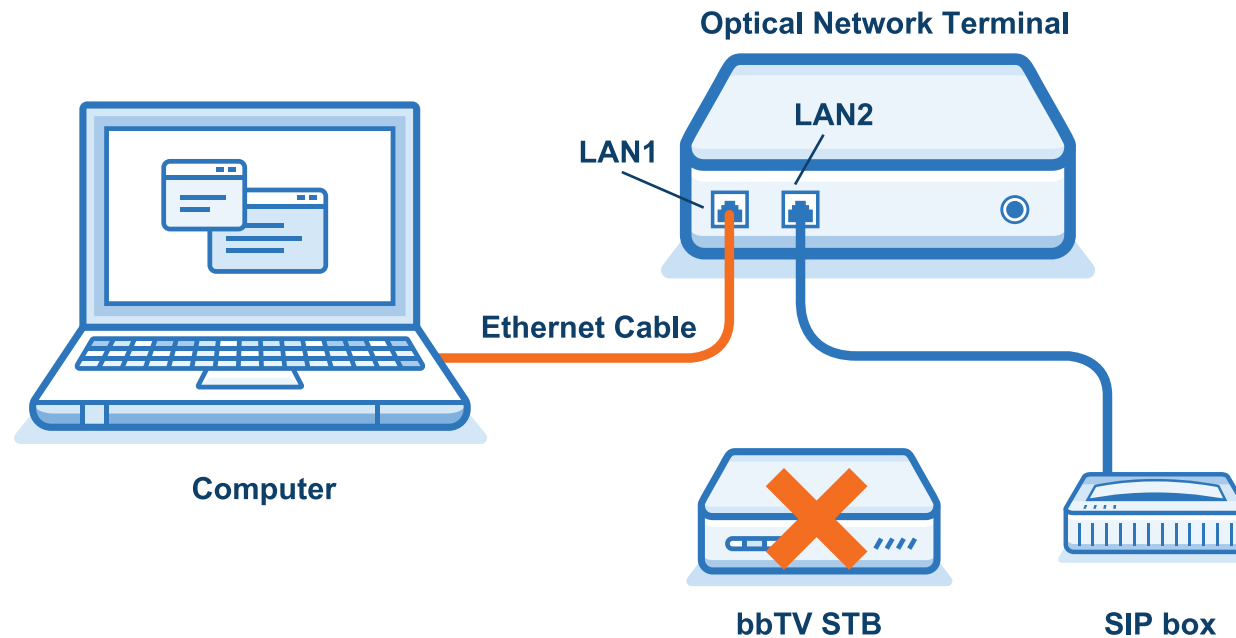
Current connection:

1. bbTV set top box (STB) is connected to a port (LAN 1) of the Optical Network Terminal, and then connected to the computer
2. Another port (LAN 2) is connected to the SIP box



New connection:

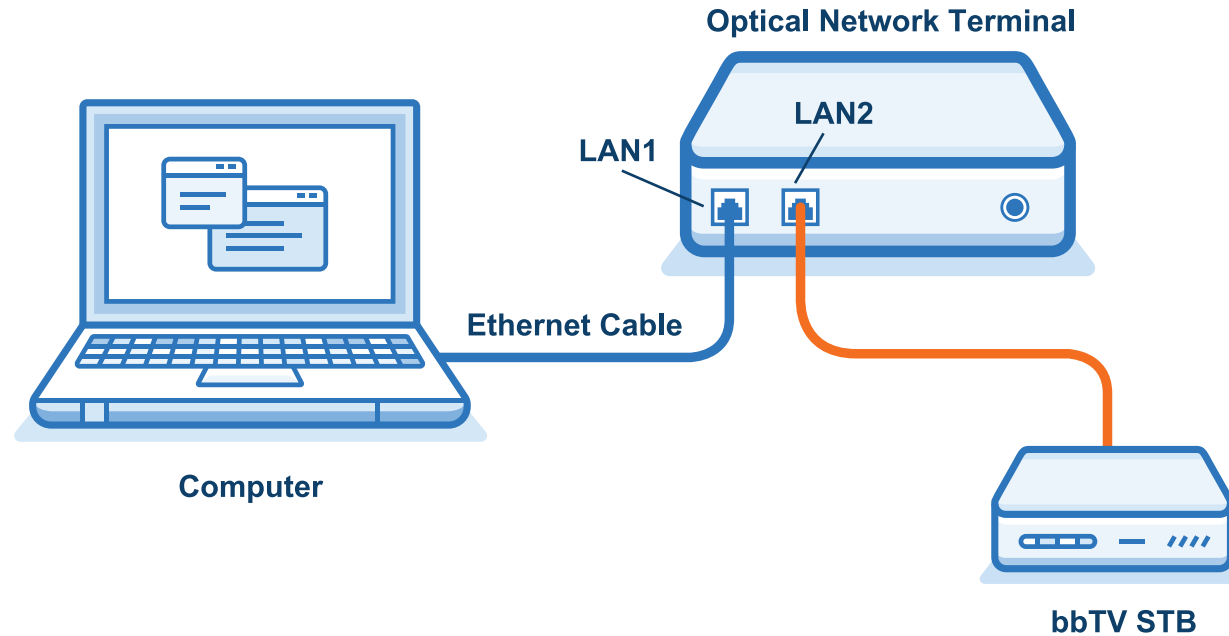
1. Remove the bbTV STB, connect LAN 1 of the Optical Network Terminal to the computer directly
2. The connection of the SIP box remains unchanged



Scenario 3

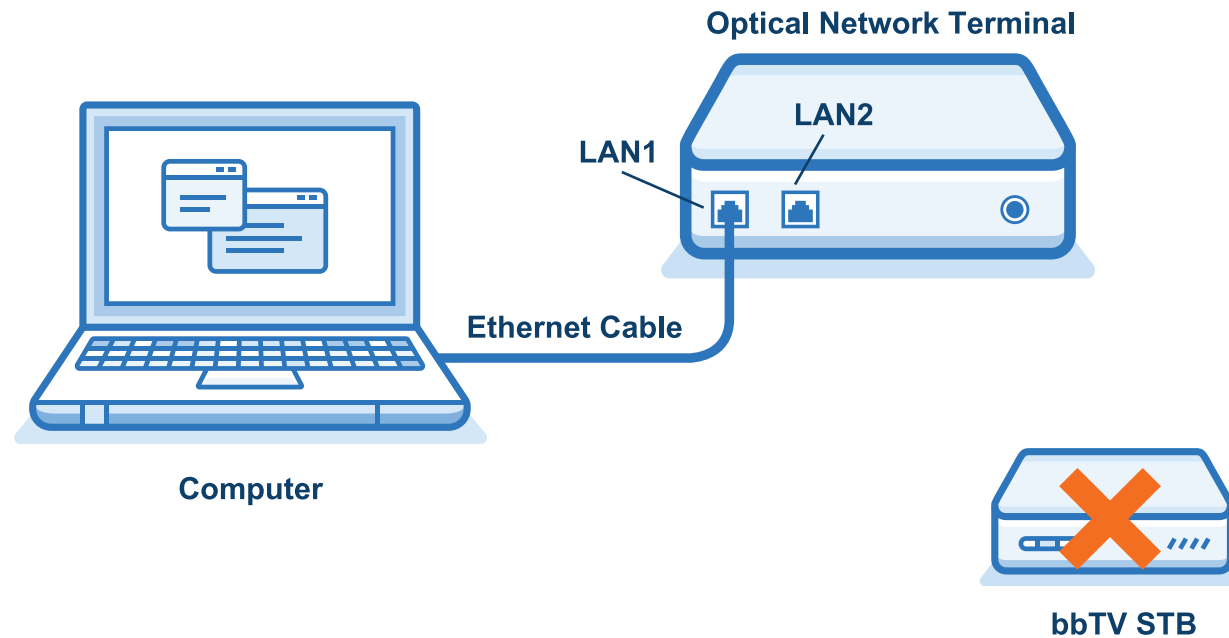
Current connection:

1. One of the port (LAN 1) of the Optical Network Terminal is connected to the computer
2. Another port is connected to the bbTV set top box (STB)



New connection:

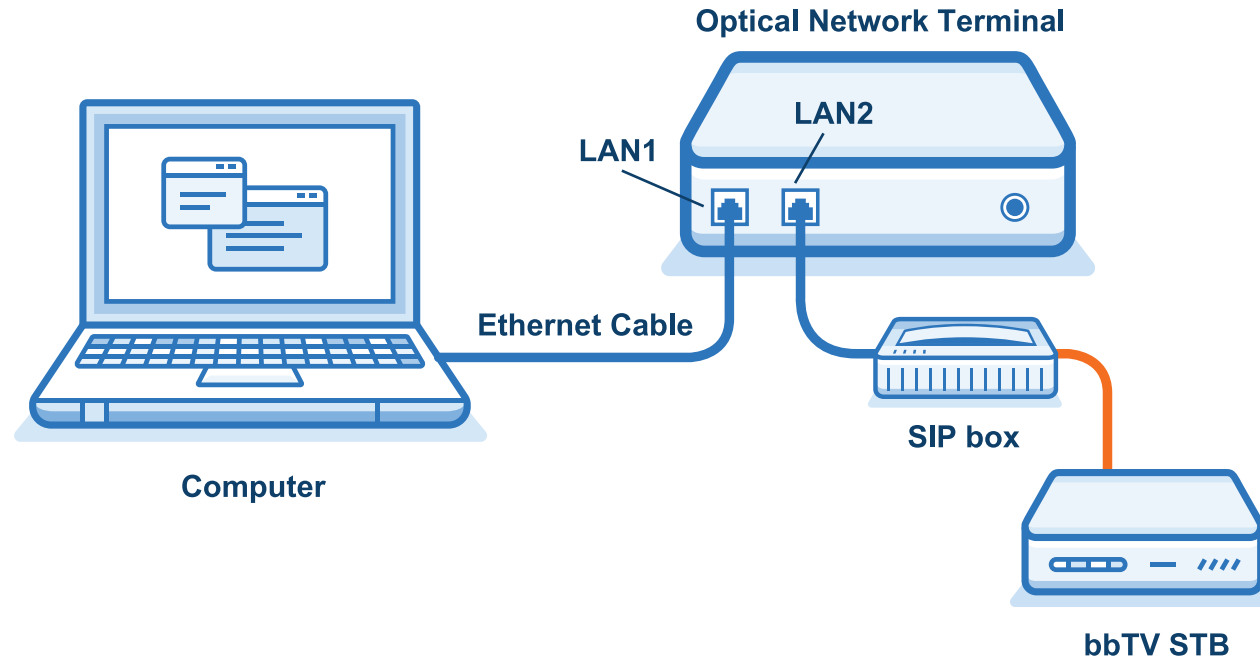
1. Remove the bbTV STB
2. The connection to the computer remains unchanged



Scenario 4

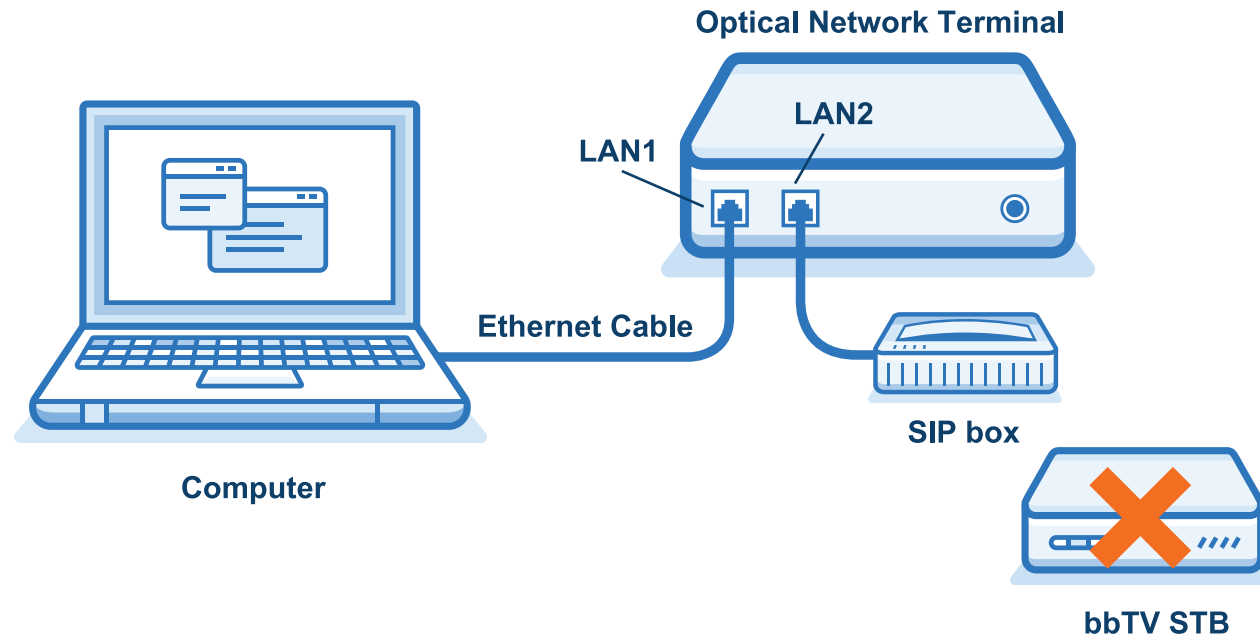
Current connection:

1. One of the port (LAN 1) of the Optical Network Terminal is connected to the computer
2. Another port (LAN 2) is connected to the SIP box, and then connected to the bbTV set top box (STB)



New connection:

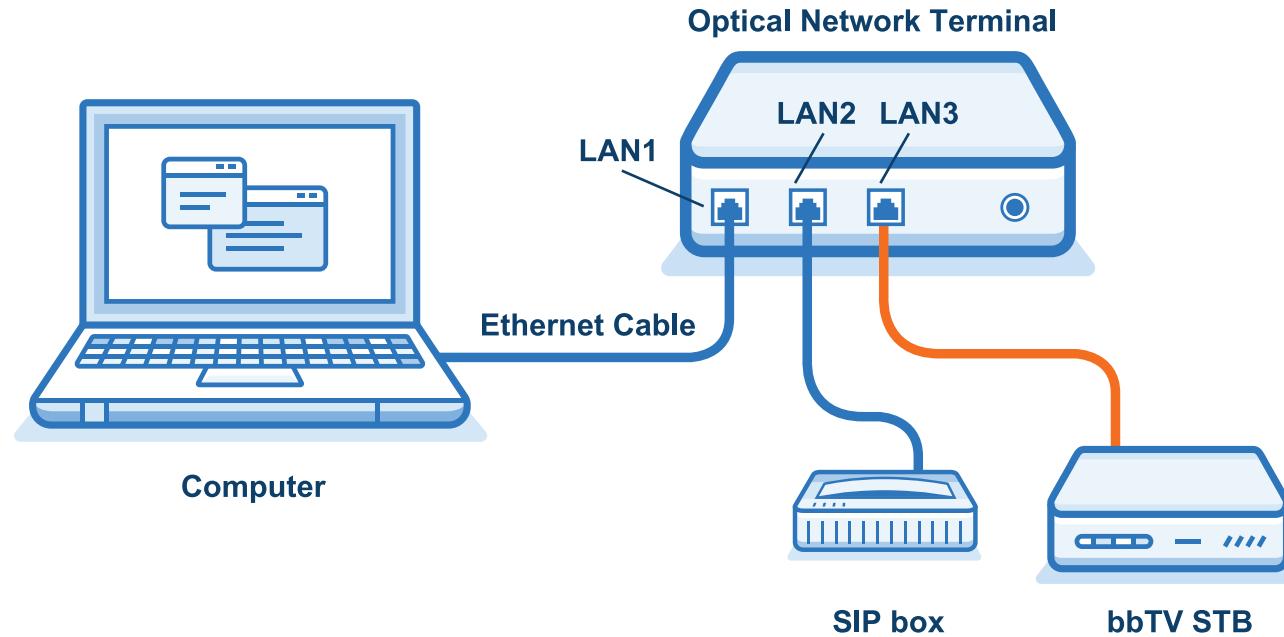
Remove the bbTV STB



Scenario 5

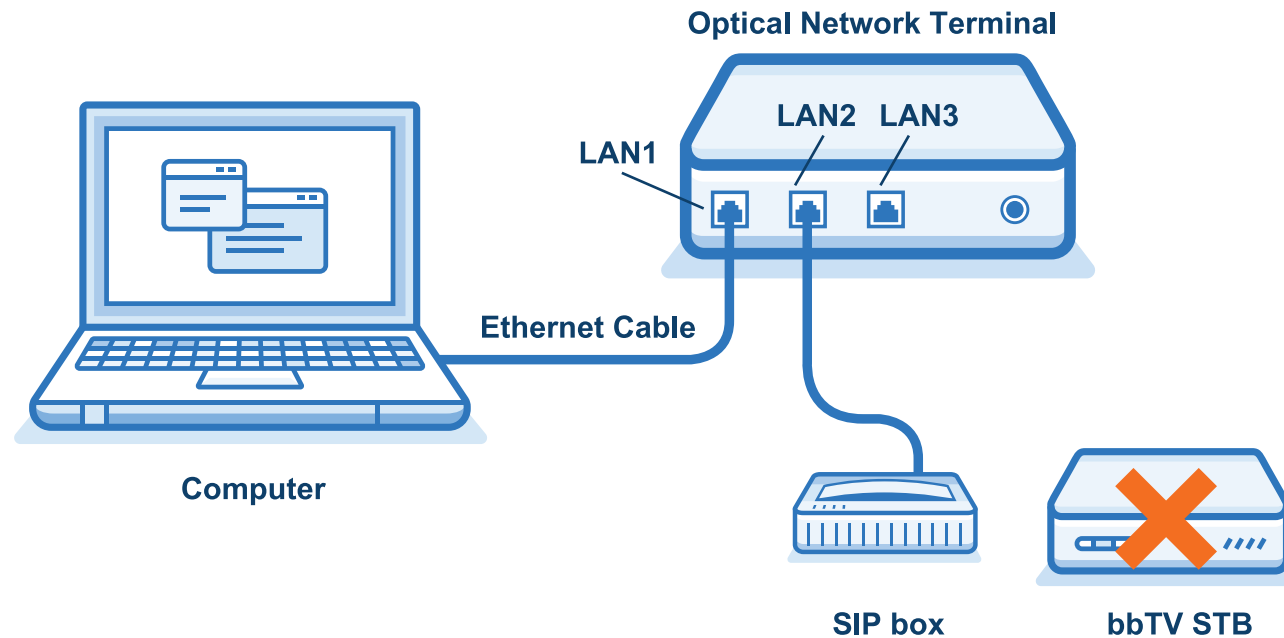
Current connection:

1. One of the port (LAN 1) of the Optical Network Terminal is connected to the computer
2. Another port (LAN 2) is connected to the SIP box
3. Another port (LAN3) is connected to the bbTV set top box (STB)



New connection:

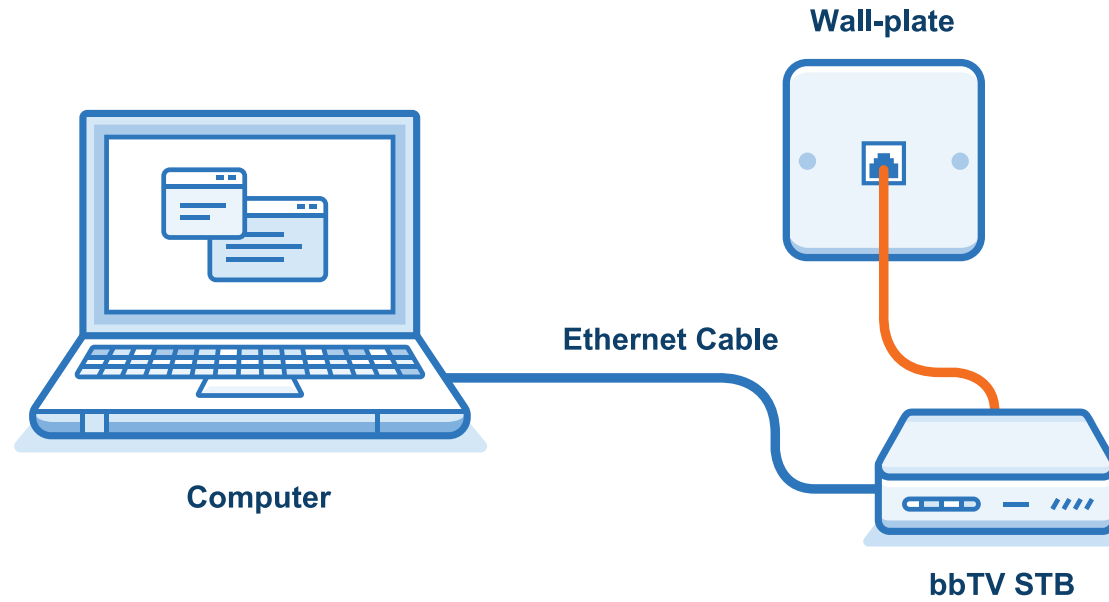
Remove the bbTV STB



Scenario 6

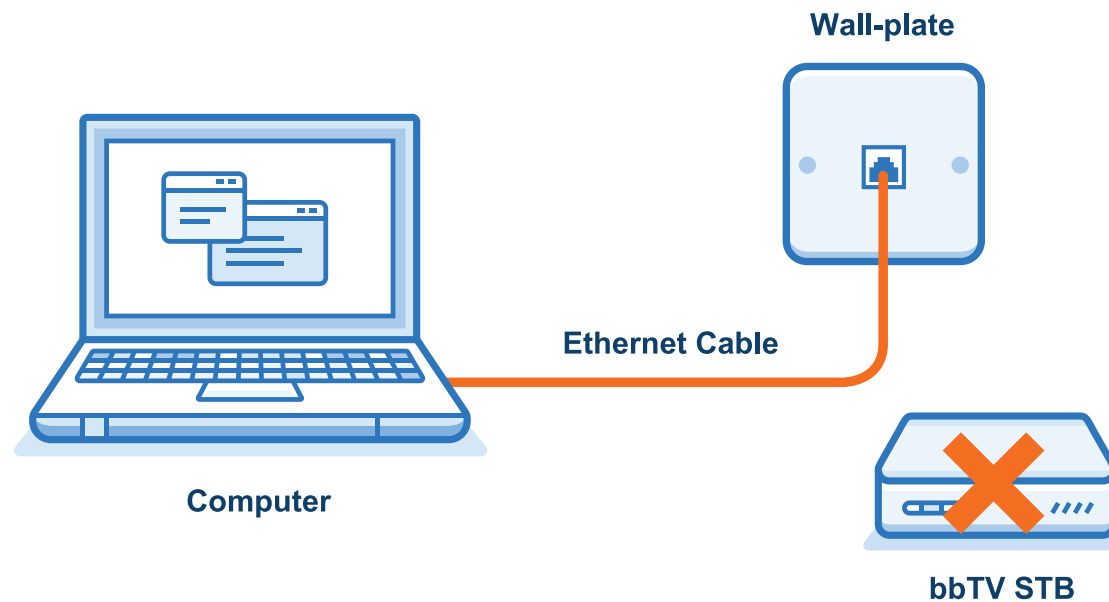
Current connection:

The bbTV set top box (STB) is connected to the wall plate, and then connected to the computer



New connection:

Remove the bbTV STB, connect the computer to the wall plate

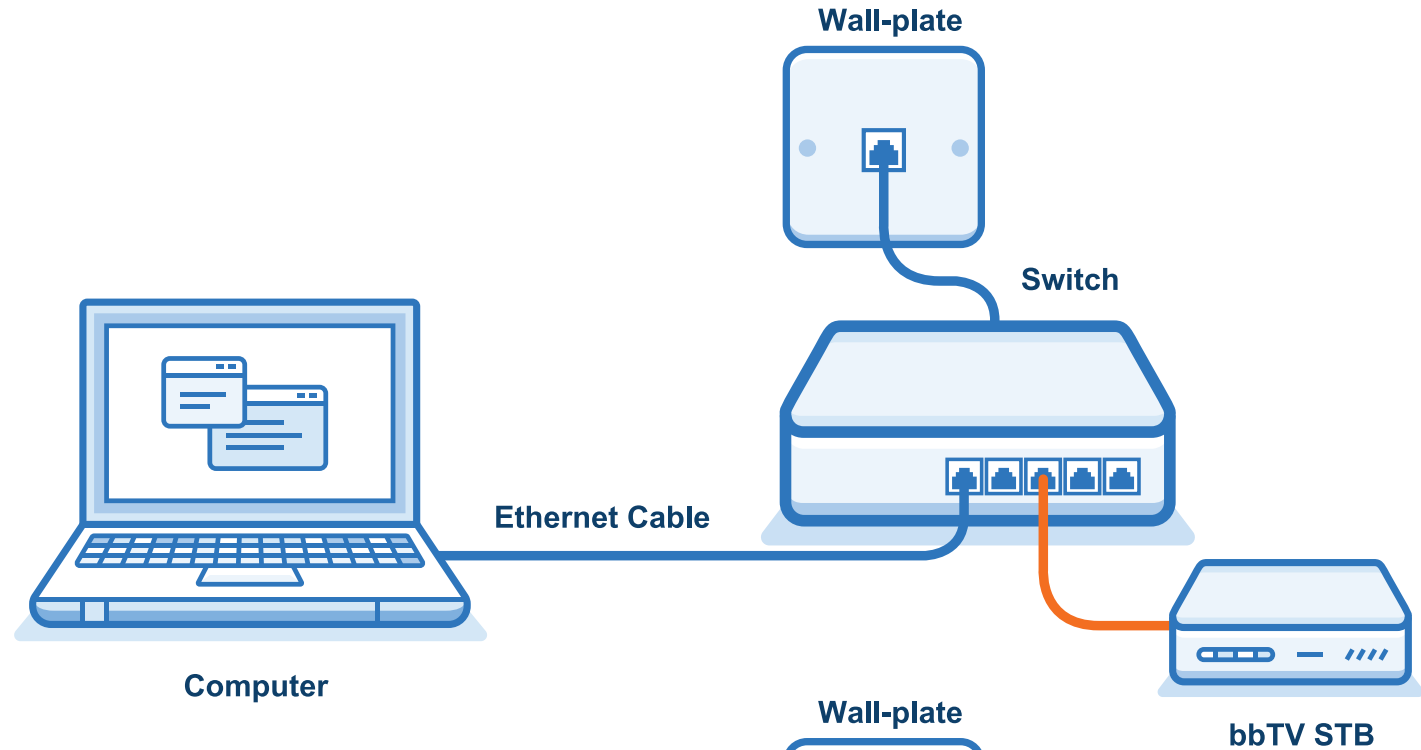


Scenario 7

Current connection:

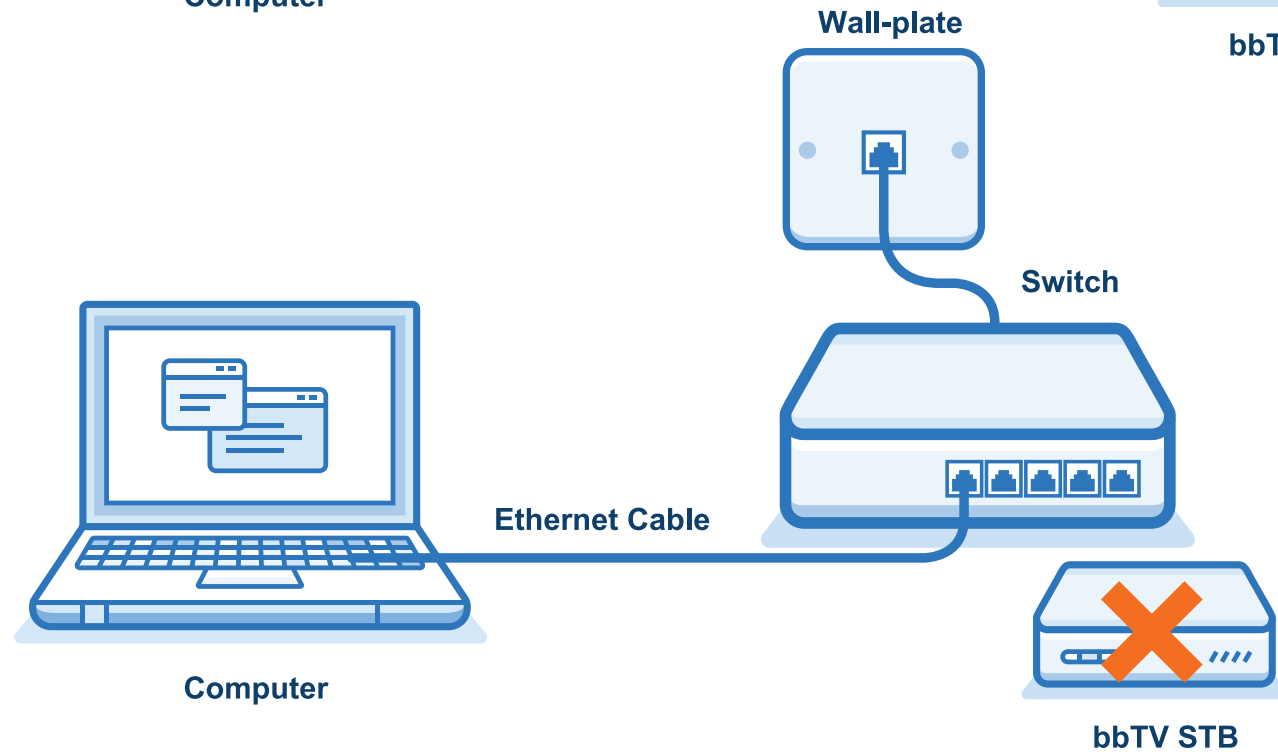
A switch is connected to the wall plate, and then is connected with

1. bbTV set top box (STB)
2. Computer



New connection:

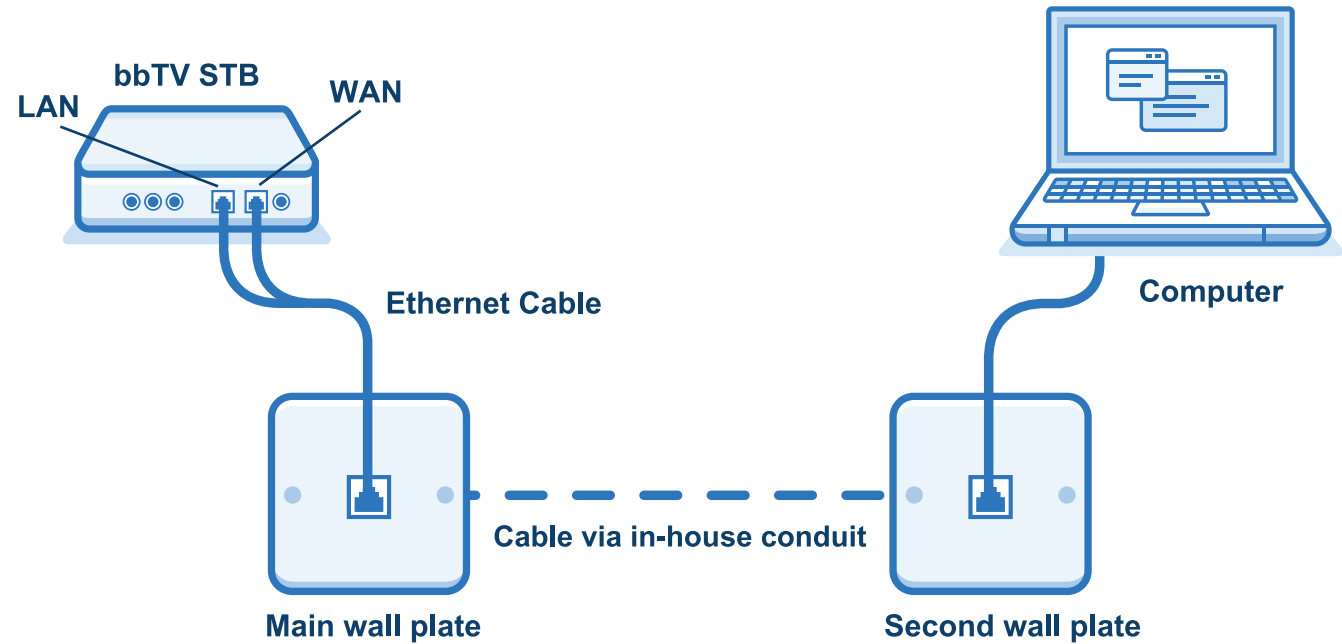
Remove the bbTV STB



Scenario 8

Current connection:

1. bbTV set top box (STB) is connected to the main wall plate (usually located in the living room)
2. Computer is connected to the second wall plate (usually located inside the room)



New connection:

1. Remove the bbTV STB, connect the Ethernet cable with a coupler (can be redeemed at HKBN branches)
2. The connection at the second wall plate remains unchanged

